



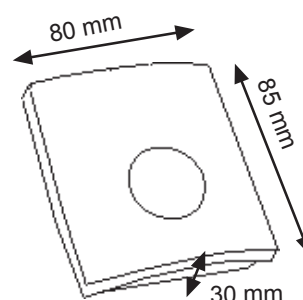
OUMAN TMR/SP is a remote setting potentiometer equipped with room temperature measurement. With EH-105, room temperature measurement can be used as either an informative or compensatory measurement. With EH-800, room temperature is used as a compensatory measurement.

With remote setting potentiometer, you can change the set value of EH-800 or EH-105 temperature control $-5... 4\text{ }^{\circ}\text{C}$. The distance between the lines on the scale equals circa $1\text{ }^{\circ}\text{C}$. The point in the middle corresponds to the set value of control temperature (supply, indoor or exhaust air).

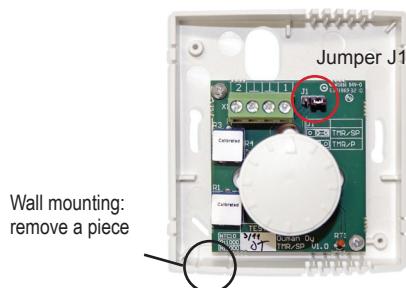
When the knob is in middle position, set value is not changed. With remote setting, it is possible to regulate the temperature steplessly

Technical information

- NTC termistor	10 k Ω
- Case	ABS plastic
- Range of use	$0\text{ }^{\circ}\text{C}...+60\text{ }^{\circ}\text{C}$
- Range of set value	$-5... 4\text{ }^{\circ}\text{C}$.
	(deviation from set value)
- Accuracy of meas.	$\pm 0,2\text{ }^{\circ}\text{C}$ ($0-70\text{ }^{\circ}\text{C}$)
- Protection class	IP 20
- Time constant	$\leq 6\text{ min}$
- Dimensions (mm)	$80 \times 85 \times 30$



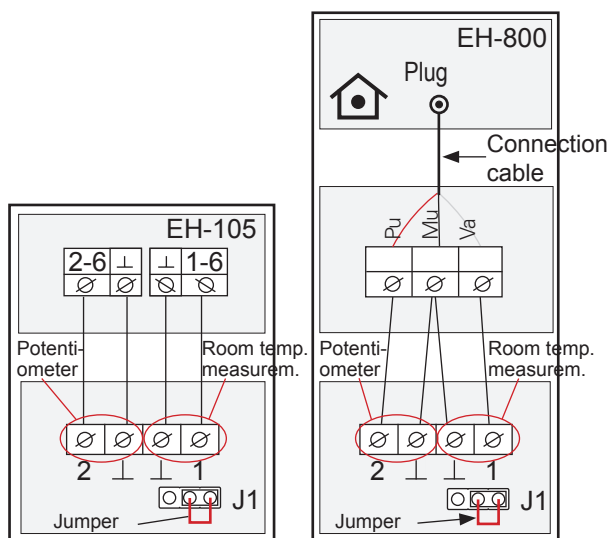
Installation and connection



TMR/SP sensor is placed at the height of approximately 150 cm in a place where it measures the mean temperature of the premises. Do not place the room sensor on direct sunlight or close to a heat source.

The room sensor can be mounted to the wall or on the top of a connection box. The case has holes on the bottom for both wall and box mounting.

1. In case of wall mounting, remove a piece from the edge of the case to bring the cable through. As for box mounting, there is a through-hole for the cable on bottom of the sensor case.
2. Connect the cable to the strip connectors 1, 2 in the sensor case. 4-pole low current cable, for example, is a suitable installation cable. The polarity of the cable is irrelevant.



EH-105: Remote setting potentiometer (strip connector 2) can be connected to measuring channel 2...6. Room temperature measurement (strip connector 1) can be connected to measuring channel 1...6.

EH-800: A connection cord is used in TMR/SP connection. It is connected to the controller with plug connection. The remote setting potentiometer (strip connector 2) is connected to the connection cord's connection box, to the same strip connector as the red wire. Room temperature measurement (strip connector 1) is connected to the same strip connector as the white wire.

Note! Make sure that the jumper is placed as indicated in the picture.