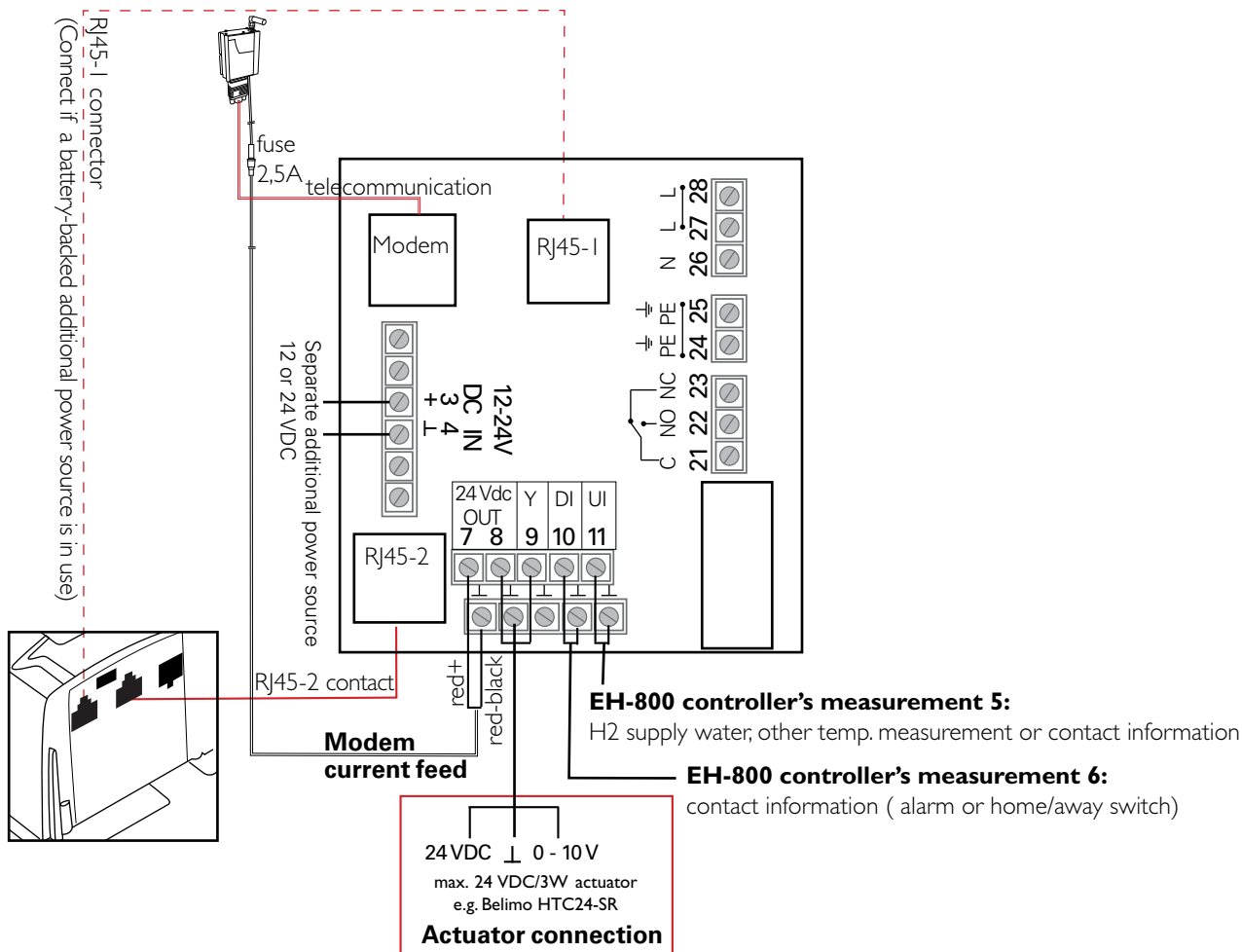
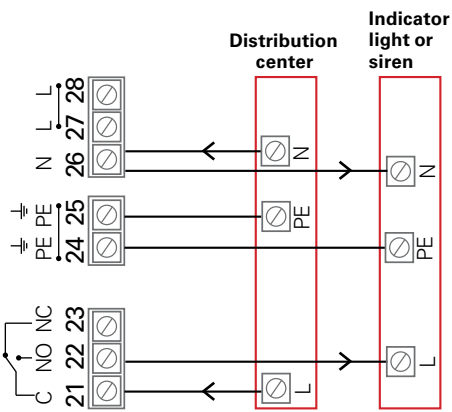


EXU-800 External unit connection guide

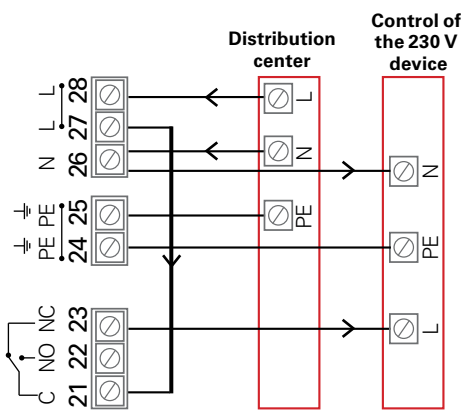
The EXU-800 external unit is connected to the EH-800 controller through the RJ45-2 connector. The external unit makes it possible to have one universal input, one digital input, one digital output, and one analogous output. It also enables connection to the Ouman GSMMOD5-modem.



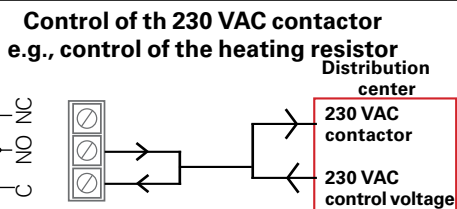
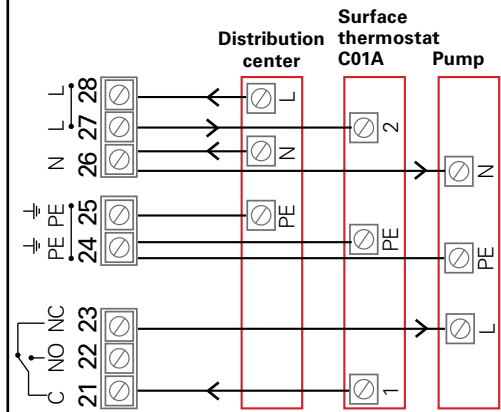
Relay control used for giving alarms (general alarm)



Relay control according to the temperature and the relay controls the 230V device, for example, the cooler's fan



Relay control is used for pump summer stop



A separate 12VDC or 24VDC power source e.g., for battery backup or additional power source

