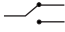


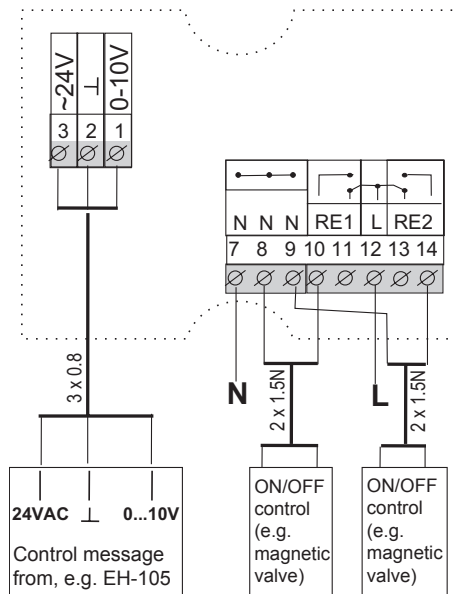
With an EHR voltage-controlled relay, you can change a 0...10V control into two ON/OFF digital outputs. The voltage, where the relay becomes active, can be adjusted with the two potentiometers located inside the case. EHR is used, for example, in EH-105 air handling unit controllers to control the ON/OFF dampers and the magnetic valves in cooling mode.

Technical information

Supply voltage:	24 VAC (-20/+25%)
Input:	0 - 10V
Output:	 8(1)A/ 230VAC
Case:	Height 104 mm
	Width 104 mm
	Depth 48 mm
Protection rate:	IP 55

Installation and connection

EHR use in 230VAC ON/OFF controls:



EHR use in 24VAC ON/OFF controls:

